

# AUTO MANUAL STATION

MC3AM



ANJANA  
ELECTRONICS



## TECHNICAL SPECIFICATIONS

Input Power Supply	110V/230V AC $\pm$ 10% 50Hz
Input	4 - 20mA DC
Output	4 - 20mA DC ratio o/p as per set point (0 - 100 %)
Display (for input signal)	3-digit 0.5" Red seven Segment display.
Display (for manual set)	3-digit 0.5" Red seven Segment display.
Resolution	1 %
Accuracy	$\pm$ 1%
Set point range	0 - 100 %
Modes of operation	1. Auto 2. Manual
Setting/Programming	Through feather touch key
No. of relay output	Two
Relay rating	Potential free contact of rating 230V AC at 5A.
Operating Temperature	0 - 50°C
Casing (HxWxD)	ABS Plastic of size 96 x 96 x 170mm
Termination	By rear panel Connection
Weight	700g(approx)

\*The above specifications are subject to change without prior notice due to continuous R & D. E.O.E.

## FEATURES

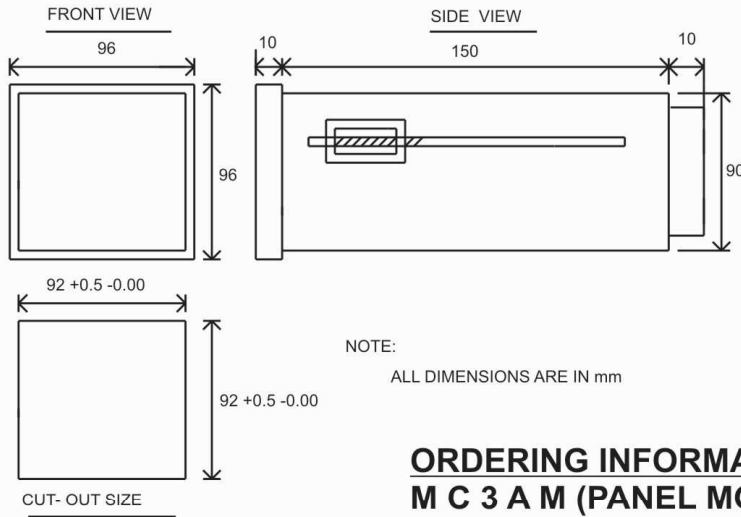
MICROCONTROLLER  
BASED DESIGN.

IT PROVIDES THE  
CURRENT OUTPUT  
AS PER THE RATIO  
SET POINT AND  
ENABLES THE RELAY  
(ALARM) BASED ON  
THE ALARM SET VALUE.

FEATHER TOUCH KEY  
FOR KEY OPERATIONS.



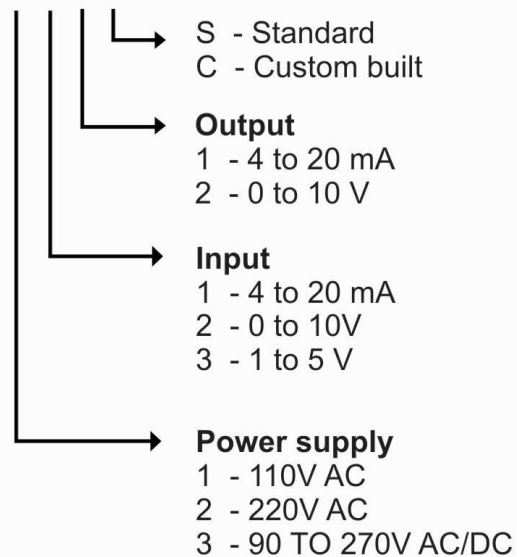
## MOUNTING DIAGRAM



## ORDERING INFORMATION

### M C 3 A M (PANEL MOUNTING)

### M C 3 A M / X X X X



Notes :

#### OTHER PRODUCTS :

Bar Graph Indicator, DC Calibrator, Digital Temperature Indicator / Controller, Digital Panel Meter, Fixed Voltage Power Supply, Signal Isolators, Convertors, SMPS Power Supplies, Temp. Transmitters, Timer, Counter, Transmitter Power Supply.

#### MAJOR CUSTOMER

ASCON MEDICAL INSTRUMENT, AVANTH CARDS, AUDCO, BALMER LAWRIE & CO LTD., BHEL, BEML, ETPS, EURO THERM, ENTECH CONSULTANCY, ETDC, FALCON TYRES, ISRO, ISTRAC, KCP, MTL SYSTEM LTD., MEL SYSTEMS LTD., MTPS, MYPOL, AND OTHER MAJOR SUGAR INDUSTRIES ETC.,

#### VALID GOVT. REGN.

SSI/NSIC, DGS & D, SOUTHERN RAILWAY, ICF, ATOMIC ENERGY, SOUTH CENTRAL RAILWAY



## ANJANA ELECTRONICS PRIVATE LIMITED

#### **OFFICE**

: #.4, NEW #.7 47TH STREET, 9TH AVENUE ASHOK NAGAR, CHENNAI - 83.

#### **FACTORY**

: #.5, THANGAIYAN STREET, MADHA NAGAR EXTN.V, MADANANDAPURAM, PORUR, CHENNAI -116. PH : 23820440, TELEFAX: 23820371. E-mail aeplin@yahoo.co.in website : www.anjanaelectronics.com

#### **BRANCH OFFICE/DEALER :**