

FLAME PROOF TIMER

PST



**ANJANA
ELECTRONICS**

FEATURES

POWER SAVER TIMER.

FLAME PROOF
ENCLOSURE.

RESTART OPERATION
CAN BE DONE THROUGH
A PUSH BUTTON.

OFF DELAY TIMER

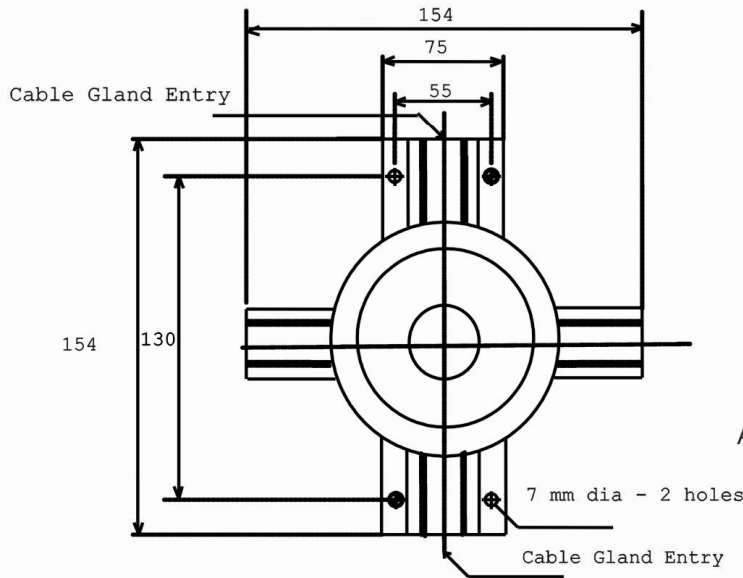
TECHNICAL SPECIFICATIONS

INPUT POWER SUPPLY	230V AC \pm 10% @ 47 TO 53 Hz
POWER ON INDICATION	By Red 5mm LED
ACCURACY	\pm 0.05 %
TIME BASE	R.C. Network
OUTPUT	Relay output of contact rating at 7 amps 230V AC
OPERATING TEMPERATURE	0 - 50°C
MOUNTING	Wall mounting type
NET WEIGHT	2kg(approx)
SET TIME ADJUSTMENT	By Potentiometer
RANGE	3 to 5 minutes
ON/OFF TIME	Select by shorting link
RELAY ON INDICATION	By Green 5 mm LED
CONNECTION	Screw terminal (PCB Mounting)
ENVIRONMENTAL INTEGRITY	Flame proof
TYPE OF CONTROL	ON/OFF
RESET	By switch

*The above specifications are subject to change without prior notice due to continuous R & D. E&O.E.



MOUNTING DIAGRAM



ALL DIMENSIONS ARE IN MM

ORDERING INFORMATION: PST (WALL MOUNTING) P S T / X X

- └─ S - Standard
- └─ C - Custom built
- └─ **Power Supply**
 - 1- 110V AC
 - 2- 220V AC
 - 3- 24V DC
 - 4- 90 to 270 V AC/DC

Notes :

OTHER PRODUCTS :

Bar Graph Indicator, DC Calibrator, Digital Temperature Indicator / Controller, Digital Panel Meter, Fixed Voltage Power Supply, Signal Isolators, Convertors, SMPS Power Supplies, Temp. Transmitters, Counter, Transmitter Power Supply.

MAJOR CUSTOMER

ASCEN MEDICAL INSTRUMENT, AVANTH CARDS, AUDCO, BALMER LAWRIE & CO LTD., BHEL, BEML, ETPS, EURO THERM, ENTECH CONSULTANCY, ETDC, FALCON TYRES, ISRO, ISTRAC, KCP, MTL SYSTEM LTD., MEL SYSTEMS LTD., MTPS, MYPOL, AND OTHER MAJOR SUGAR INDUSTRIES ETC.,

VALID GOVT. REGN.

SSI/NSIC, DGS & D, SOUTHERN RAILWAY, ICF, ATOMIC ENERGY, SOUTH CENTRAL RAILWAY



ANJANA ELECTRONICS PRIVATE LIMITED

OFFICE

: #.4, NEW #.7 47TH STREET, 9TH AVENUE ASHOK NAGAR, CHENNAI - 83.

FACTORY

: #.5, THANGAIYAN STREET, MADHA NAGAR EXTN.V, MADANANDAPURAM, PORUR, CHENNAI - 116. PH : 23820440, TELEFAX: 23820371. E-mail aeplin@yahoo.co.in website : www.anjanaelectronics.com

BRANCH OFFICE/DEALER :