

# PRESET COUNTER

MC6PC



**ANJANA  
ELECTRONICS**



## TECHNICAL SPECIFICATIONS

INPUT POWER SUPPLY	110/230V AC $\pm$ 10% 50Hz
RANGE	0 To 999999 (SIX DIGITS) LZB
TYPE OF DISPLAY	7 Segment 0.5" Red LED
PULSE VOLTAGE	3.5V TO 24VDC
COUNT	up / down
ACCURACY	$\pm$ 2 Counts
SET VALUE	1 TO 999999
PROGRAMMING	Through feather touch key provided in the front panel
COUNTER DESIGN	Embedded
MEMORY BACK UP	Internal NV RAM (no battery required)
MEMORY RETENTION	5 years
RELAY ON INDICATION	5mm Red LED
OPERATING TEMPERATURE	0 - 50°C
TERMINATION	Screw Terminals provided in the Rear panel
MOUNTING	Panel Mounting
DIMENSIONS (HxWxD)	96 X 96 X 130mm
PANEL CUTOUT (HxW)	92 x 92 mm
ENCLOSURE	ABS-Plastic
NET WEIGHT	560gm(Approx)

\*The above specifications are subject to change without prior notice due to continuous R & D.  
E.O.E.

### FEATURES

**MICROCONTROLLER  
BASED DESIGN.**

**NO BATTERIES  
REQUIRED FOR  
DATA RETENTION.**

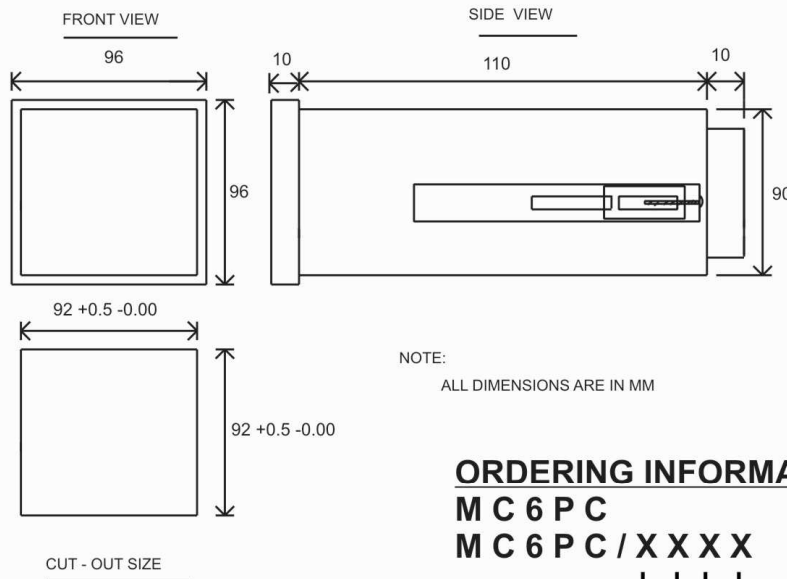
**FEATHER  
TOUCH KEY  
FOR PROGRAMMING/  
SETTING.**

**UP/DOWN COUNTING  
BY INTERNAL LINK  
SELECTION.**

**REMOTE  
START/STOP/RESET  
(OPTIONAL).**

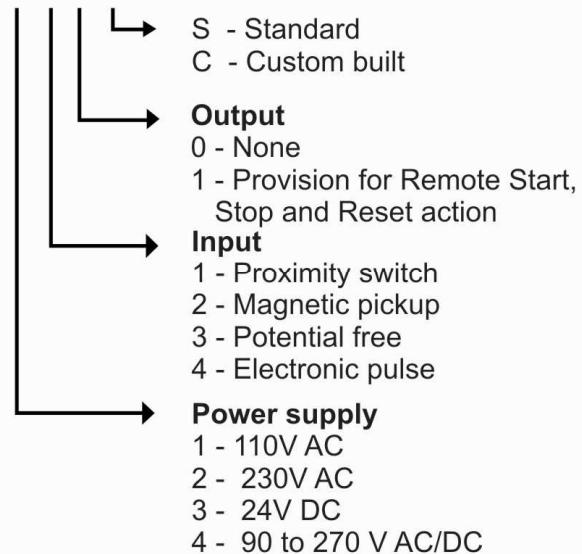


## MOUNTING DIAGRAM



## ORDERING INFORMATION

**M C 6 P C**  
**M C 6 P C / X X X X**



Notes :

### OTHER PRODUCTS :

Bar Graph Indicator, DC Calibrator, Digital Temperature Indicator / Controller, Digital Panel Meter, Fixed Voltage Power Supply, Signal Isolators, Convertors, SMPS Power Supplies, Temp. Transmitters, Timer, Transmitter Power Supply.

### MAJOR CUSTOMER

ASCON MEDICAL INSTRUMENT, AVANTH CARDS, AUDCO, BALMER LAWRIE & CO LTD., BHEL, BEML, ETPS, EURO THERM, ENTECH CONSULTANCY, ETDC, FALCON TYRES, ISRO, ISTRAC, KCP, MTL SYSTEM LTD., MEL SYSTEMS LTD., MTPS, MYPOL, AND OTHER MAJOR SUGAR INDUSTRIES ETC.,

### VALID GOVT. REGN.

SSI/NSIC, DGS & D, SOUTHERN RAILWAY, ICF, ATOMIC ENERGY, SOUTH CENTRAL RAILWAY



**ANJANA ELECTRONICS PRIVATE LIMITED**

### **OFFICE**

: #.4, NEW #.7 47TH STREET, 9TH AVENUE ASHOK NAGAR, CHENNAI - 83.

### **FACTORY**

: #.5, THANGAIYAN STREET, MADHA NAGAR EXTN.V, MADANANDAPURAM, PORUR, CHENNAI -116. PH : 23820440, TELEFAX: 23820371. E-mail aeplin@yahoo.co.in website : www.anjanaelectronics.com

### **BRANCH OFFICE/DEALER :**