

RPM INDICATOR

MC6R



TECHNICAL SPECIFICATIONS

POWER SUPPLY	110/230V AC \pm 10% 50Hz
TYPE OF DISPLAY	7 Segment 0.5" Red LED
RANGE	0 To 10000 RPM
RESOLUTION	20 RPM*
ACCURACY	\pm 20 RPM*
UPDATE RATE	3 Seconds*
OPERATING TEMPERATURE	0 - 50°C
CONNECTION	Screw Terminals provided in the Rear panel
MOUNTING	Panel Mounting
DIMENSIONS (HxWxD)	96 X 48 X 110mm
PANEL CUTOUT (HxW)	92 x 46 mm
ENCLOSURE	ABS-Plastic
NET WEIGHT	350 gm

*The above specifications are subject to change without prior notice due to continuous R & D. E.O.E.



**ANJANA
ELECTRONICS**

FEATURES

MICROCONTROLLER
BASED DESIGN.

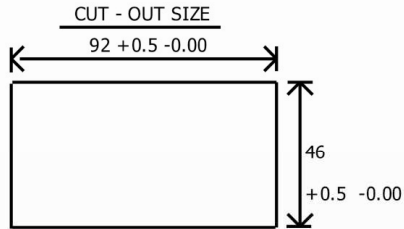
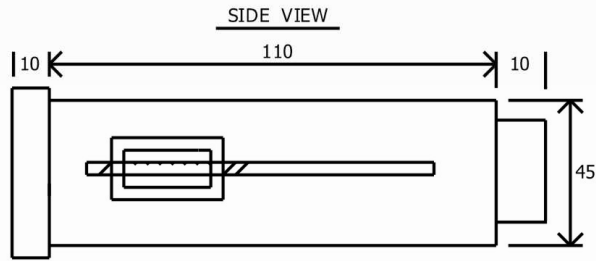
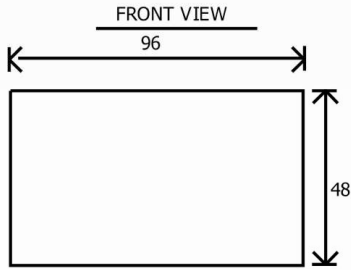
DIFFERENT SENSOR
INPUT OPTION

VARIOUS RANGES
UPTO 10000 RPM

INTEGRAL BUILT-IN
POWER FOR SENSOR
CONNECTION



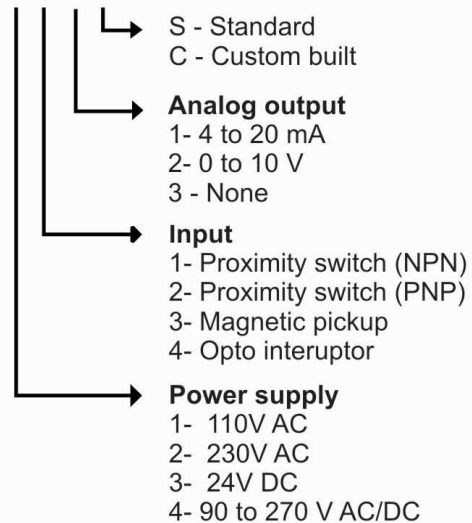
MOUNTING DIAGRAM



All Dimensions are in mm

ORDERING INFORMATION

M C 6 R
M C 6 R / X X X X



Notes :

OTHER PRODUCTS :

Bar Graph Indicator, DC Calibrator, Digital Temperature Indicator / Controller, Digital Panel Meter, Fixed Voltage Power Supply, Signal Isolators, Convertors, SMPS Power Supplies, Temp. Transmitters, Timer, Counter, Transmitter Power Supply.

MAJOR CUSTOMER

ASCON MEDICAL INSTRUMENT, AVANTH CARDS, AUDCO, BALMER LAWRIE & CO LTD., BHEL, BEML, ETPS, EURO THERM, ENTECH CONSULTANCY, ETDC, FALCON TYRES, ISRO, ISTRAC, KCP, MTL SYSTEM LTD., MEL SYSTEMS LTD., MTPS, MYPOL, AND OTHER MAJOR SUGAR INDUSTRIES ETC.,

VALID GOVT. REGN.

SSI/NSIC, DGS & D, SOUTHERN RAILWAY, ICF, ATOMIC ENERGY, SOUTH CENTRAL RAILWAY



ANJANA ELECTRONICS PRIVATE LIMITED

OFFICE

: #.4, NEW #.7 47TH STREET, 9TH AVENUE ASHOK NAGAR, CHENNAI - 83.

FACTORY

: #.5, THANGAIYAN STREET, MADHA NAGAR EXTN.V, MADANANDAPURAM, PORUR, CHENNAI -116. PH : 23820440, TELEFAX: 23820371. E-mail aeplin@yahoo.co.in website : www.anjanaelectronics.com

BRANCH OFFICE/DEALER :