

REMOTE CONTROLLER

MCRC



**ANJANA
ELECTRONICS**

FEATURES

MICROCONTROLLER
BASED DESIGN.

IT PROVIDES THE
CURRENT OUTPUT AS
PER THE RATIO
SET POINT IN
MANUAL MODE

AND PROVIDES CURRENT
OUTPUT AS SAME AS
INPUT IN
AUTO MODE.

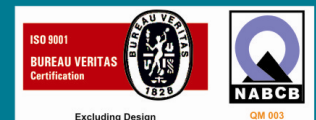
IT ALSO RECEIVES
1- 5 V DC INPUT
AND DISPLAY 0 - 100 %
AS WELL AS
PROVIDES
4 - 20 mA OUTPUT.

FEATHER TOUCH KEY
FOR
KEYS OPERATIONS.

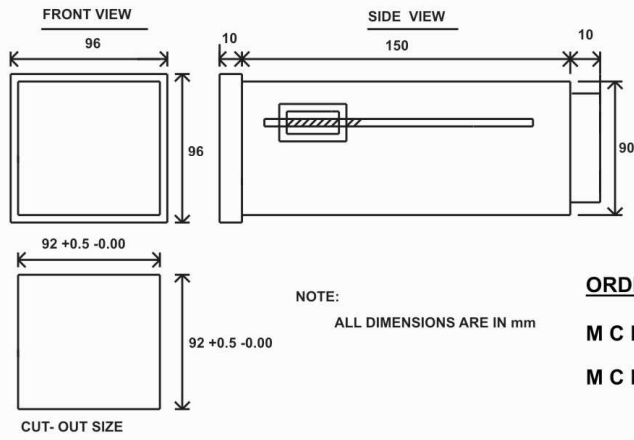
TECHNICAL SPECIFICATIONS

POWER SUPPLY	230V AC \pm 10% 50Hz
INPUT	4-20 mA / 1 – 5 V
RANGE	0 – 100 %
OUTPUT	4-20 mA / 1 – 5 V
INDICATION	3 digit 0.5" Red 7 Segment
AUTO/MANUAL MODE	Selection through feather touch
AUTO MODE SIGNAL INPUT	4 – 20 mA
AUTO MODE INDICATION	By Green LED
SET VALUE INDICATION	3 digit 0.5" Red LED 7 Segment
SET POINT RANGE	0 – 100%
MANUAL MODE INDICATION	By Red LED
AUTO/MANUAL MODE OUTPUT	4 – 20 mA
ACCURACY	\pm 1%
MEMORY BACK UP	Internal EEPROM
OPERATING TEMPERATURE	0 – 50°C
TERMINATION	By Screw Terminals
OVERALL DIMENSIONS	96H X 96W X 170D mm
WEIGHT	800 gm approx

*The above specifications are subject to change without prior notice due to continuous R & D.
E.O.E.



MOUNTING DIAGRAM

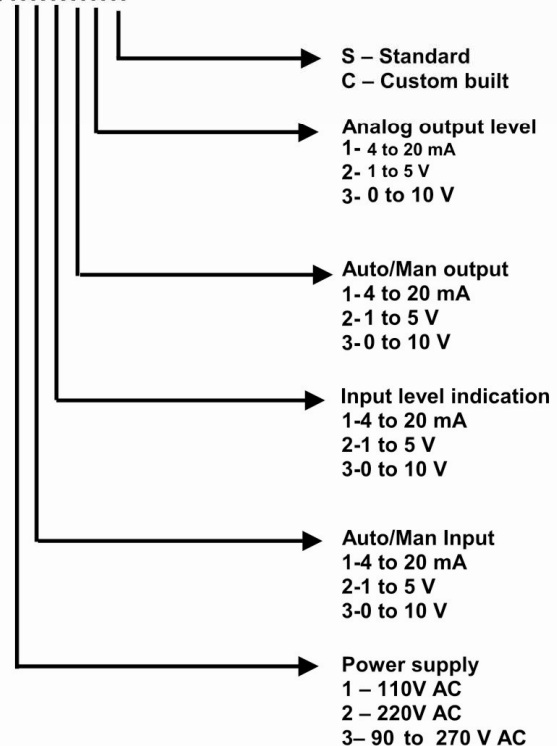


NOTE:
ALL DIMENSIONS ARE IN mm

ORDERING INFORMATION

M C R C (PANEL MOUNTING)

M C R C / X X X X X



Notes :

OTHER PRODUCTS :

Bar Graph Indicator, DC Calibrator, Digital Temperature Indicator / Controller, Digital Panel Meter, Fixed Voltage Power Supply, Signal Isolators, Convertors, SMPS Power Supplies, Temp. Transmitters, Timer, Counter, Transmitter Power Supply.

MAJOR CUSTOMER

ASCON MEDICAL INSTRUMENT, AVANTH CARDS, AUDCO, BALMER LAWRIE & CO LTD., BHEL, BEML, ETPS, EURO THERM, ENTECH CONSULTANCY, ETDC, FALCON TYRES, ISRO, ISTRAC, KCP, MTL SYSTEM LTD., MEL SYSTEMS LTD., MTPS, MYPOL, AND OTHER MAJOR SUGAR INDUSTRIES ETC.,

VALID GOVT. REGN.

SSI/NSIC, DGS & D, SOUTHERN RAILWAY, ICF, ATOMIC ENERGY, SOUTH CENTRAL RAILWAY



ANJANA ELECTRONICS PRIVATE LIMITED

OFFICE

: #.4, NEW #.7 47TH STREET, 9TH AVENUE ASHOK NAGAR, CHENNAI - 83.

FACTORY

: #.5, THANGAIYAN STREET, MADHA NAGAR EXTN.V, MADANANDAPURAM, PORUR, CHENNAI -116. PH : 23820440, TELEFAX: 23820371. E-mail aejlin@yahoo.co.in website : www.anjanaelectronics.com

BRANCH OFFICE/DEALER :