

SIGNAL ISOLATOR (24 V / 230 V INPUT)

SIS



**ANJANA
ELECTRONICS**



TECHNICAL SPECIFICATIONS

INPUT POWER SUPPLY	24V DC /110/220V AC \pm 10% 50Hz
INPUT RANGES	4-20 mA / 0-20 mA / 0-10 V / 1-5V / 0-100 mV
OUTPUT RANGERS	4-20mA / 0-10V /1-5V
LOAD RESISTANCE	300 Ohms max (I output) 2K Ohms min (V output)
ISOLATION TYPE	Three port
ISOLATION VOLTAGE	1KV DC/AC
ACCURACY	\pm 0.25% of full span
OPERATING TEMPERATURE	0 - 55°C
MOUNTING	Din rail
ENCLOSURE	ABS-Plastic
INPUT CHANNEL	Single/Dual
OUTPUT CHANNEL	Single/Dual
EFFECT ON AMBIENT TEMPERATURE	Span + 100 ppm/ °c Zero + 100 ppm/ °c
ZERO & SPAN ADJUSTMENT	Easily accessible and provided on the side of the panel.
DIMENSION	FOR 24 V DC INPUT 75H X 23W X 110D MM (SINGLE) 75H X 55W X 110D MM (DUAL) FOR 230V AC INPUT 70H X 60W X 115D MM (SINGLE) 70H X 100W X 115D MM (DUAL)

*The above specifications are subject to change without prior notice due to continuous R & D. E.O.E.

FEATURES

IT TAKES DC VOLTAGE/CURRENT SIGNAL INPUTS AND PROVIDES A STABLE, RIPPLE FREE AND ISOLATED DC LOAD INDEPENDENT OUTPUT IN THE FORM OF CURRENT OR VOLTAGE

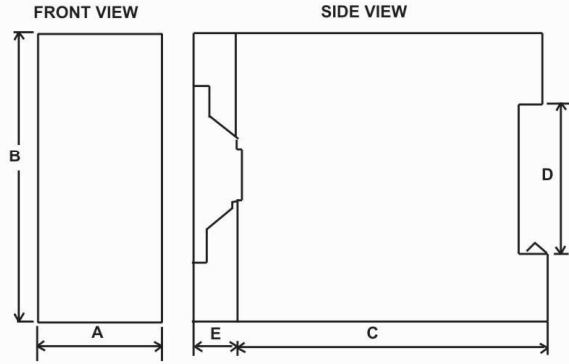
PROTECTS EXPENSIVE INSTRUMENTATION SYSTEM FROM DANGEROUSLY HIGH COMMON MODE VOLTAGES.



Excluding Design

QM 003

MOUNTING DIAGRAM

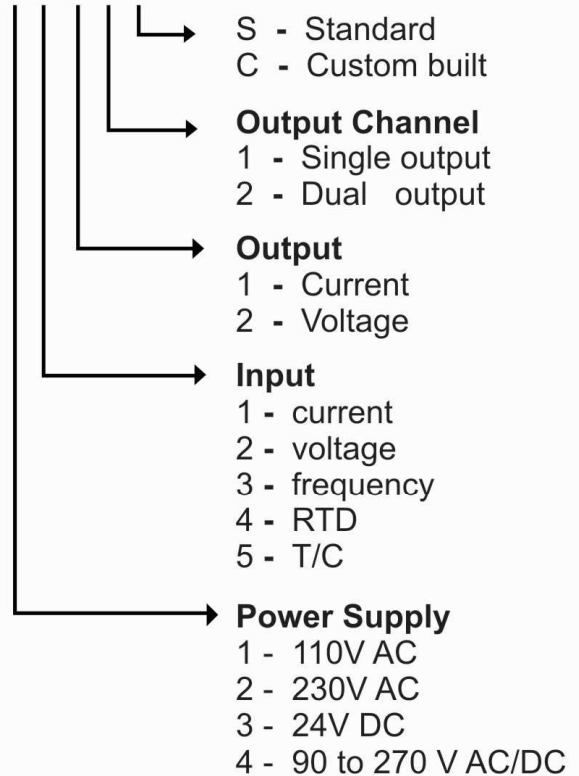


CHANNEL TO BE USED : T CHANNEL

NOTE: ALL DIMENSIONS ARE IN MM

CHANNEL	A	B	C	D	E
SINGLE	23	75	87	35	23
DUAL	55	75	87	35	23

ORDERING INFORMATION: S I S (DIN RAIL MOUNTING) S I S / X X X X X



Notes :

OTHER PRODUCTS :

Bar Graph Indicator, DC Calibrator, Digital Temperature Indicator / Controller, Digital Panel Meter, Fixed Voltage Power Supply, Convertors, SMPS Power Supplies, Temp. Transmitters, Timer, Counter, Transmitter Power Supply.

MAJOR CUSTOMER

ASCON MEDICAL INSTRUMENT, AVANTH CARDS, AUDCO, BALMER LAWRIE & CO LTD., BHEL, BEML, ETPS, EURO THERM, ENTECH CONSULTANCY, ETDC, FALCON TYRES, ISRO, ISTRAC, KCP, MTL SYSTEM LTD., MEL SYSTEMS LTD., MTPS, MYPOL, AND OTHER MAJOR SUGAR INDUSTRIES ETC.,

VALID GOVT. REGN.

SSI/NSIC, DGS & D, SOUTHERN RAILWAY, ICF, ATOMIC ENERGY, SOUTH CENTRAL RAILWAY



ANJANA ELECTRONICS PRIVATE LIMITED

OFFICE

: #.4, NEW #.7 47TH STREET, 9TH AVENUE ASHOK NAGAR, CHENNAI - 83.

FACTORY

: #.5, THANGAIYAN STREET, MADHA NAGAR EXTN.V, MADANANDAPURAM, PORUR, CHENNAI -116. PH : 23820440, TELEFAX: 23820371. E-mail aeplin@yahoo.co.in website : www.anjanaelectronics.com

BRANCH OFFICE/DEALER :