

TEMPERATURE INDICATOR / CONTROLLER

TI
TC



**ANJANA
ELECTRONICS**

TECHNICAL SPECIFICATIONS

INDICATOR	
POWER SUPPLY	110/ 220 V AC, $\pm 10\%$ 50 Hz.
INPUT SENSOR	RTD-PT100 / Thermocouple -K/J/T
RANGE	0 -199.9 °C/ 0 to 1200 °C
TYPE OF DISPLAY	7 Segment LED Display
NUMBER OF DIGITS	3 ½ / 4 ½ DIGITS.
DISPLAY HEIGHT	0.5"
RESOLUTION	0.1°C / 1°C
ACCURACY	$\pm 0.25\%$ ± 1 DIGIT OF FULL SPAN
INPUT IMPEDANCE	> 1 M Ω
WARM UP TIME	15 TO 20 MINUTES / Instantaneous
OPERATING TEMPERATURE	0°C TO 50°C
WEIGHT	500 G (APPROX.,)
OVERALL DIMENSIONS	48 H X 96 W X 110D mm
MOUNTING	PANEL
CONTROLLER	
SET POINT ACCURACY	$\pm 1^\circ\text{C}$
SET POINT ADJUST	By means of potentiometer
OUTPUT	One set of potential free Contacts with contact rating of 230 V/ 10A AC.
OVERALL DIMENSIONS	96Hx 96W x 160D mm

*The above specifications are subject to change without prior notice due to continuous R & D. E.O.E.

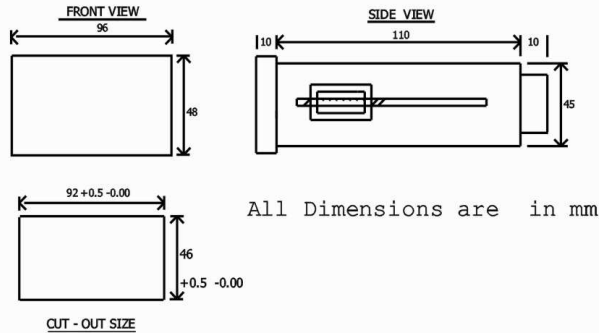
FEATURES

- RELIABLE
- LINEARISED
- STABLE OUTPUT
- DIGITAL INDICATION



MOUNTING DIAGRAM

TEMPERATURE INDICATOR



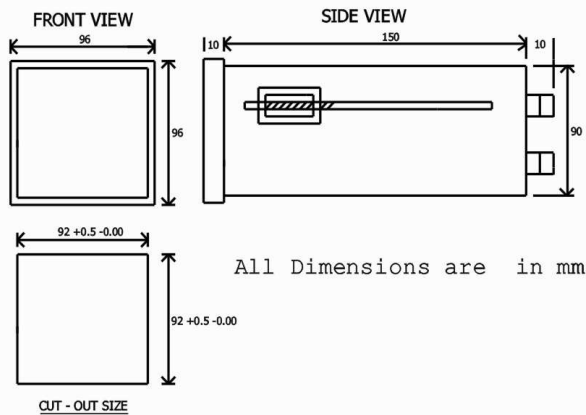
ORDERING INFORMATION

T I (PANEL MOUNTING)

T I / X X X X X

- S - Standard
- C - Custom built
- Display Digit**
 - 1 - 3 ½ digit
 - 2 - 4 ½ digit (except thermocouple input)
- Analog Output**
 - 1 - 4 to 20 mA
 - 2 - 0 to 10 V
 - 3 - None
- Input**
 - 1 - RTD
 - 2 - Thermocouple
 - 3 - 4 to 20 mA
 - 4 - 0 to 10 V
- Power supply**
 - 1 - 110V AC
 - 2 - 220V AC

TEMPERATURE CONTROLLER



TC (PANEL MOUNTING)

T C / X X X X X

- S - Standard
- C - Custom built
- Display Digit**
 - 1 - 3 ½ digit
 - 2 - 4 ½ digit (except thermocouple input)
- Analog Output**
 - 1 - 4 to 20 mA
 - 2 - 0 to 10 V
 - 3 - None
- Input**
 - 1 - RTD
 - 2 - Thermocouple
 - 3 - 4 to 20 mA
 - 4 - 0 to 10 V
- Power supply**
 - 1 - 110V AC
 - 2 - 220V AC

Notes :

OTHER PRODUCTS :

Bar Graph Indicator, DC Calibrator, Digital Panel Meter, Fixed Voltage Power Supply, Signal Isolators, Convertors, SMPS Power Supplies, Temp. Transmitters, Timer, Counter, Transmitter Power Supply.

MAJOR CUSTOMER

ASCON MEDICAL INSTRUMENT, AVANTH CARDS, AUDCO, BALMER LAWRIE & CO LTD., BHEL, BEML, ETPS, EURO THERM, ENTECH CONSULTANCY, ETDC, FALCON TYRES, ISRO, ISTRAC, KCP, MTL SYSTEM LTD., MEL SYSTEMS LTD., MTPS, MYPOL, AND OTHER MAJOR SUGAR INDUSTRIES ETC.,

VALID GOVT. REGN.

SSI/NSIC, DGS & D, SOUTHERN RAILWAY, ICF, ATOMIC ENERGY, SOUTH CENTRAL RAILWAY



ANJANA ELECTRONICS PRIVATE LIMITED

OFFICE

: #.4, NEW #.7 47TH STREET, 9TH AVENUE ASHOK NAGAR, CHENNAI - 83.

FACTORY

: #.5, THANGAIYAN STREET, MADHA NAGAR EXTN.V, MADANANDAPURAM, PORUR, CHENNAI -116. PH : 23820440, TELEFAX: 23820371. E-mail aeplin@yahoo.co.in website : www.anjanaelectronics.com

BRANCH OFFICE/DEALER :