

TWO STAGE TIMER

MC3TST



**ANJANA
ELECTRONICS**



TECHNICAL SPECIFICATIONS

INPUT POWER SUPPLY	110/220V AC \pm 10% 50Hz
TYPE OF DISPLAY	3 digit, 0.5" 7 Seg Red LED for Process Value 3 digit, 0.3" 7 Seg Red LED for Set-1 and Set-2
CLOCK INDICATION	LED 'h' segment
RANGE & RESOLUTION	0-999 Sec, 1 Sec
COUNT	UP
ACCURACY	\pm 0.05 % Crystal controlled
SET VALUE	Within entire range
PROGRAMMING	Through feather touch key provided in the front panel
RESET, START AND STOP	Rear Panel For remote Operation.
TIMER DESIGN	Embedded
MEMORY BACK UP	Internal NV RAM (no battery required)
MEMORY RETENTION	5 years
RELAY OUTPUT	Potential free of Contact rating @ 230V AC/ 10A.
RELAY ON INDICATION	Red LED
STAGE ON INDICATION	Green LED
OPERATING TEMPERATURE	0 - 50°C
TERMINATION	Screw Terminals provided in the Rear panel
DIMENSIONS (HxWxD)	96 X 96 X 130mm
NET WEIGHT	450gm(approx)

*The above specifications are subject to change without prior notice due to continuous R & D. E&O.E.

FEATURES

MICROCONTROLLER
BASED DESIGN

NO BATTERIES REQUIRED
FOR DATA RETENTION

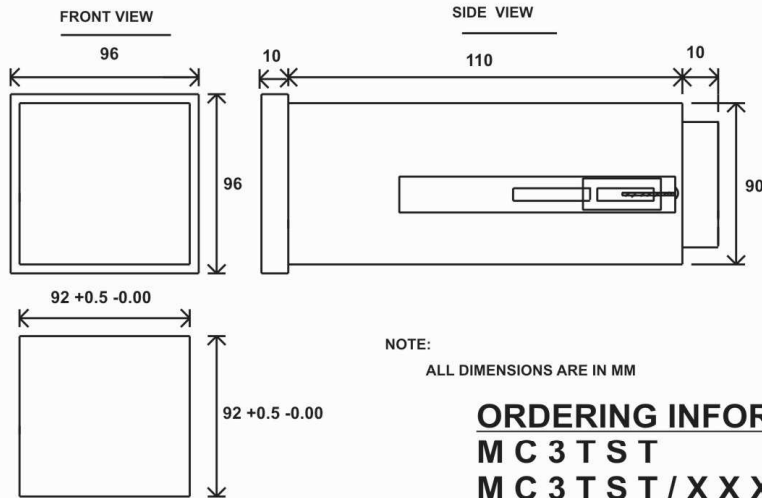
FEATHERS TOUCH KEY
FOR PROGRAMMING/
SETTING

REMOTE
START/STOP/RESET
(OPTIONAL)

SETVALUE
PROTECTED BY
PASS WORD



MOUNTING DIAGRAM



NOTE:
ALL DIMENSIONS ARE IN MM

ORDERING INFORMATION

M C 3 T S T

M C 3 T S T / X X X X

- S - Standard
- C - Custom built
- 0- None
- 1 - Provision for Remote Start, Stop and Reset actions
- 1- On delay
- 2- Off delay
- Power supply**
- 1- 110V AC
- 2- 220V AC
- 3- 90 to 270V AC/DC

Notes :

OTHER PRODUCTS :

Bar Graph Indicator, DC Calibrator, Digital Temperature Indicator / Controller, Digital Panel Meter, Fixed Voltage Power Supply, Signal Isolators, Convertors, SMPS Power Supplies, Temp. Transmitters, Timer, Counter, Transmitter Power Supply.

MAJOR CUSTOMER

ASCON MEDICAL INSTRUMENT, AVANTH CARDS, AUDCO, BALMER LAWRIE & CO LTD., BHEL, BEML, ETPS, EURO THERM, ENTECH CONSULTANCY, ETDC, FALCON TYRES, ISRO, ISTRAC, KCP, MTL SYSTEM LTD., MEL SYSTEMS LTD., MTPS, MYPOL, AND OTHER MAJOR SUGAR INDUSTRIES ETC.,

VALID GOVT. REGN.

SSI/NSIC, DGS & D, SOUTHERN RAILWAY, ICF, ATOMIC ENERGY, SOUTH CENTRAL RAILWAY



ANJANA ELECTRONICS PRIVATE LIMITED

OFFICE

: #.4, NEW #.7 47TH STREET, 9TH AVENUE ASHOK NAGAR, CHENNAI - 83.

FACTORY

: #.5, THANGAIYAN STREET, MADHA NAGAR EXTN.V, MADANANDAPURAM, PORUR, CHENNAI -116. PH : 23820440, TELEFAX: 23820371. E-mail aeplin@yahoo.co.in website : www.anjanaelectronics.com

BRANCH OFFICE/DEALER :